

ALTIMETER ANTENNAS

MODEL LG81K1

LG81K1 Altimeter Antenna Characteristics

The LG81K01 is a flush mount radio altimeter antenna with integrated band pass filter. It is a laminated construction with microstrip element on high performance substrate. This Antenna was designed by Honeywell for use with the Honeywell AN/APN-194 Altimeter.

National Stock Number
(NSN): 5985-01-159-4352 AS2741/APN-194

Electrical Characteristics:

Frequency band 4250 to 4350 MHz

VSWR Sum
 4250 MHz 1.80 : 1.0 Maximum
 4300 MHz 1.50 : 1.0 Maximum
 4350 MHz 1.80 : 1.0 Maximum

Polarization Linear

Half Power Beam Width
 E Plane NLT 50 deg. Nominal
 H Plane NLT 50 deg. Nominal

Gain Sum 9.0 dBi Minimum

Isolation (Paired) 85 dB Minimum

Second Harmonic Rejection
 8500 to 9700 MHz NLT 50 deg. Nominal
 8350 to 8850 MHz NLT 25 deg. Nominal

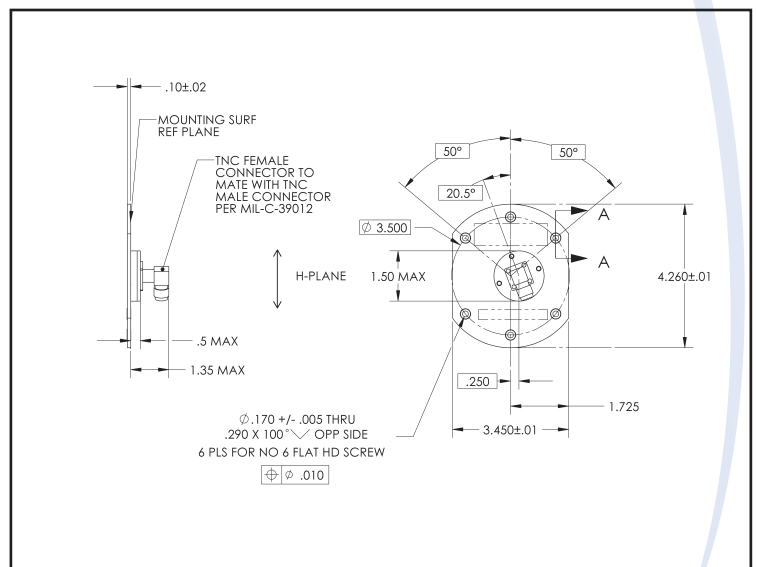
Physical Characteristics:

Weight 4.4 ozs. (.125 kg)
 Length 4.260 in (10.820 cm)
 Height 1.45 in (3.683 cm) MAX
 Width 3.450 in (8.763 cm)

Construction

- Plated Aluminum Body
- Stainless Steel TNC Connector
- Teflon Radome

All antennas manufactured by Antenna Associates are tested to OEM specifications and requirements including VSWR, Radiation Patterns, Isolation, and Second Harmonic Rejection. Antenna Associates Inc. is the only Honeywell licensed manufacturer approved for use on their AN/APN-194 Altimeter.



LG81K1 INTERFACE DIMENSIONS

Rev A